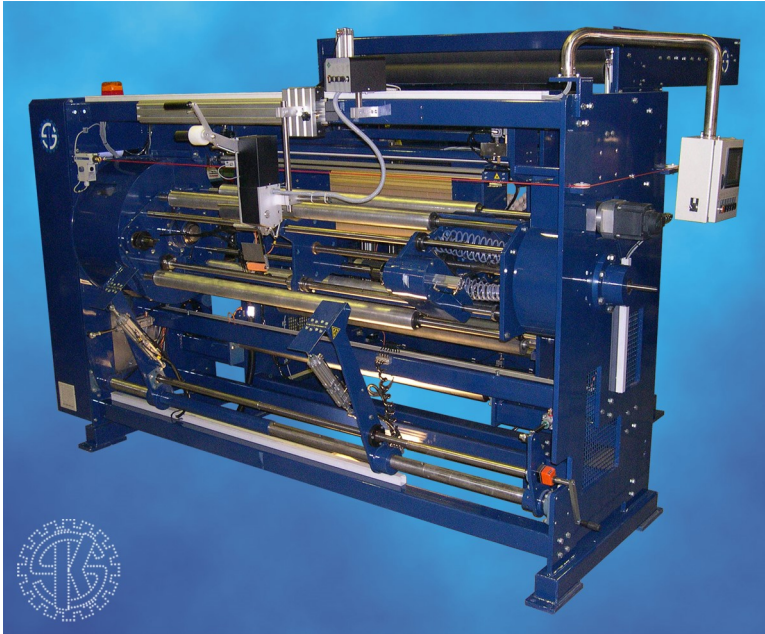


# SK•Machinery®

## Turret Winder - TSG /2A-VI



*The SK-Machinery® engineered Turret Winders provides solutions for winding of customized rolls from mother rolls or in-line production. Our newly developed Shaftless Turret Winder TSG /2A-VI features a “true walk away operation” because all handling and winding is fully automated - resulting in excellent roll quality. To support years of trouble free operation - all winders from SK-Machinery® are characterized by a sturdy and precise construction, with state of the art programmable controls, ensuring a flexible and versatile winding solution. The Turret Winder TSG /2A-VI is available with different features and options - ready to meet the most demanding center winding requirements for cast film, sheeting or tubing.*

### BENEFITS

- Optimization of capacity through setting of: finished roll length, film thickness and core dimension
- Superior finished labeled roll - ready for packaging
- Four roll changes per minute
- Simplified finished roll handling
- User friendly control of winder functions
- Efficient and simple diagnostics
- Simple setting of finished roll length and line-speed

### FEATURES

- TSG is built as a shaftless twin centre winder designed to meet demand for a high frequency of roll change and ease of handling.
- The winder has excellent web handling for wrinkle-free film products.
- Simple and clear programming and control by black/white or multi colored touch screen
- In-line installation - setting of speed in concert with extruder through use of load cells
- The TSG is adaptable to future demands by its unique open soft ware
- Optimal use of raw material through efficient and exact film handling due to flying knife film-cut
- Digital display of film speed and other parametres
- Edge guiding with edge sensors at entry roller

### DESCRIPTION OF TSG/2A-VI

The TSG /2A-VI is a versatile shaftless center winder which can wind either cast or blown film with multiple roll widths from 750mm to 1500mm in diameters up to 200mm on cores up to 76mm..

The winder is developed to wind tube extruded laminated films, asymmetric co-extruded films from 8 micron to 2 x 200 micron.

TSG provides an automatic roll change with a superior roll handling.

The TSG series can be installed either out-of-line or optional in-line.

TSG features a PLC with a Touch Screen Control that operates and monitors all functions.

The display is Windows® based ensuring easy and simple operation eliminating need for time-consuming learning.

Regarding choice of software and electrical components, the winder will be customer applied to meet individual preferences. This helps to assure swift training of operators and maintenance staff.

The web cut in connection with automatic roll change is made swiftly and with high precision by the pneumatic flying knife system.

The frame of the winder is built from 25 mm steel plate with durable horizontal supports made from box section steel profiles.

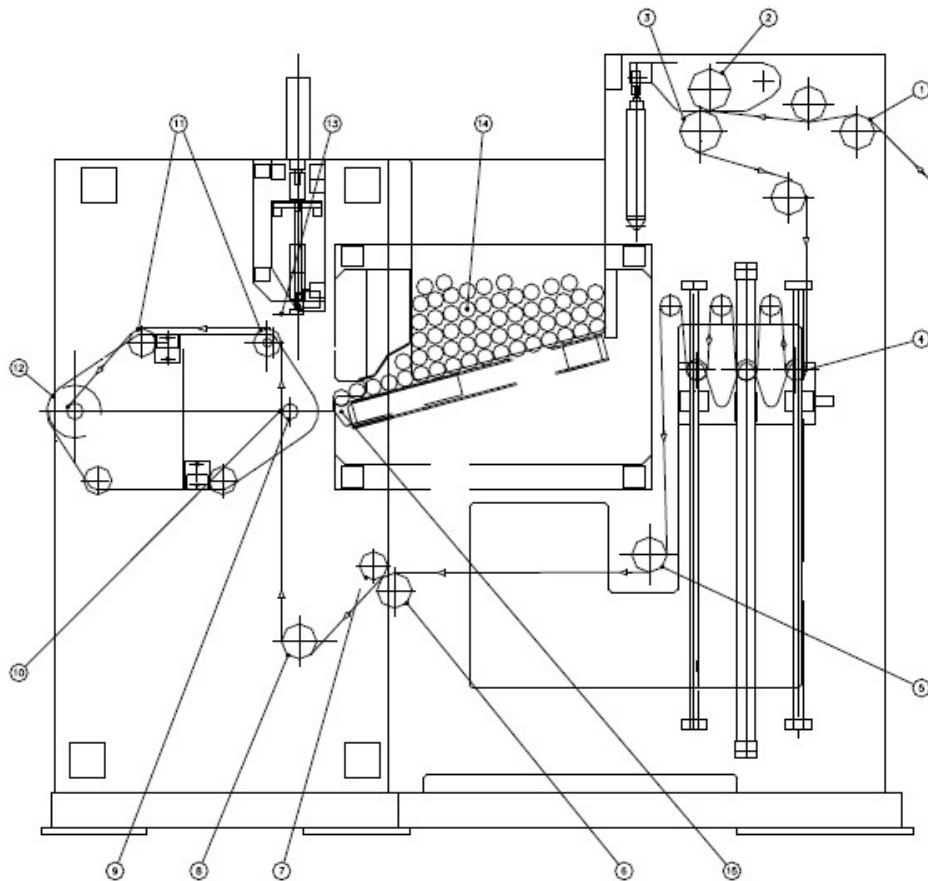
The construction gives free and easy access for inspection and threading.

### OPTIONS

- Handling equipment for the finished rolls
- Adjustable finished roll hardness

[www.scan-convert.com](http://www.scan-convert.com)

*Specialized Machines and Equipment for the Plastic Processing Industry*



- 1) Entry Roller
- 2) Pneumatic Nip Roller - rubberized
- 3) Motorized Entry Nip - rubberized
- 4) Speed monitoring Dancer Roller System
- 5) Precision Roller
- 6) Free-wheel Roller (one-way)
- 7) Manual Lay on Roller – rubberized
- 8) Encoder for film speed and meter counter
- 9) Motorized Winding Station for new core
- 10) Catcher for cut film
- 11) Precision Roller
- 12) Winding Station for finished roll
- 13) Pneumatic Flying Knife
- 14) Storage for paper cores
- 15) Pivot Arm for next paper core

### TECHNICAL SPECIFICATIONS FOR TSG /2A-VI SHAFTLESS TURRET CENTRE WINDER

- Winder Type: Shaftless Turret Centre Winder
- Max. Roll Dia.: 200 mm
- Max. Roll Width: 1500 mm
- Min. Roll Width: 750 mm
- Line Speed: 0 - 150 m/min
- Film Tension: 0 - 500 N
- Paper core: 25-76 mm
- Roll Change: Max. 4 per minute
- Material-/Film Types:: Developed for winding of technical film
- Material-/Film Thickness: Films from 1 x 8 micron to 2 x 200 micron
- Winding cores: Standard or customized cores
- Air Required: 7,0 bar - 110 PSI